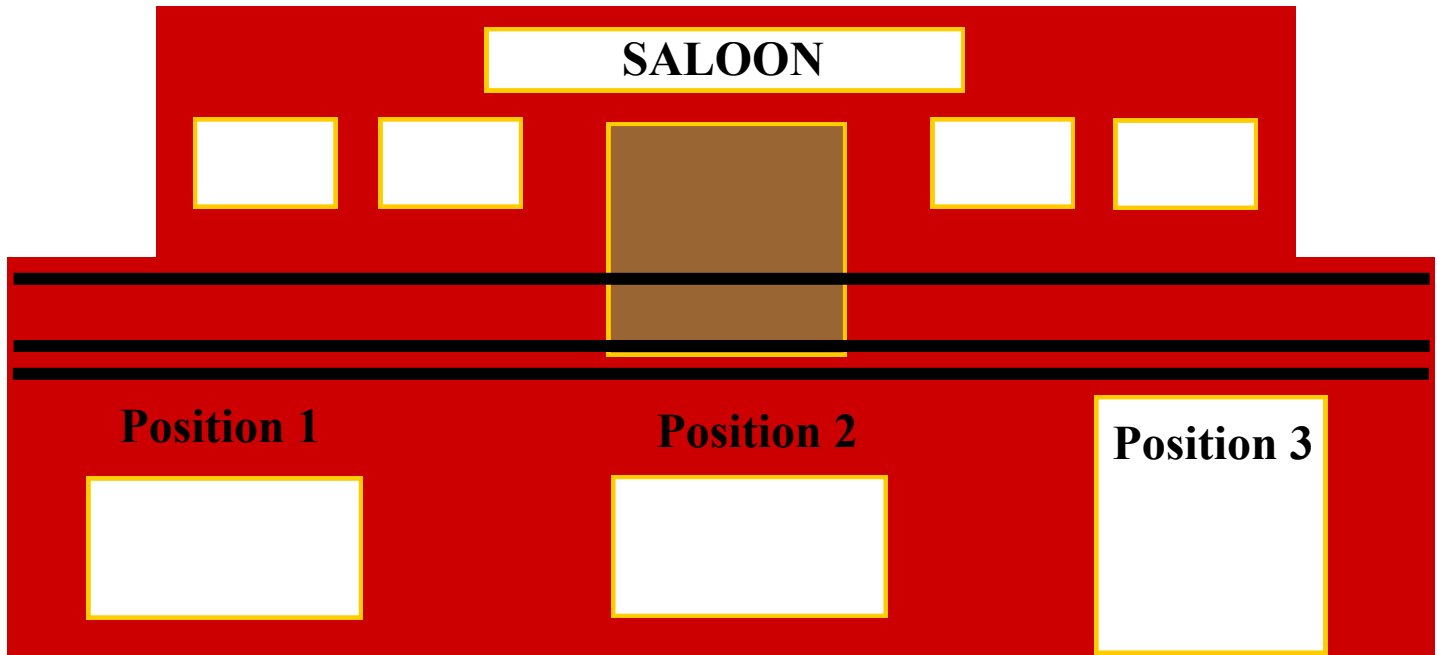
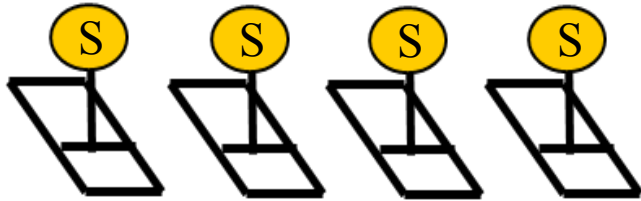
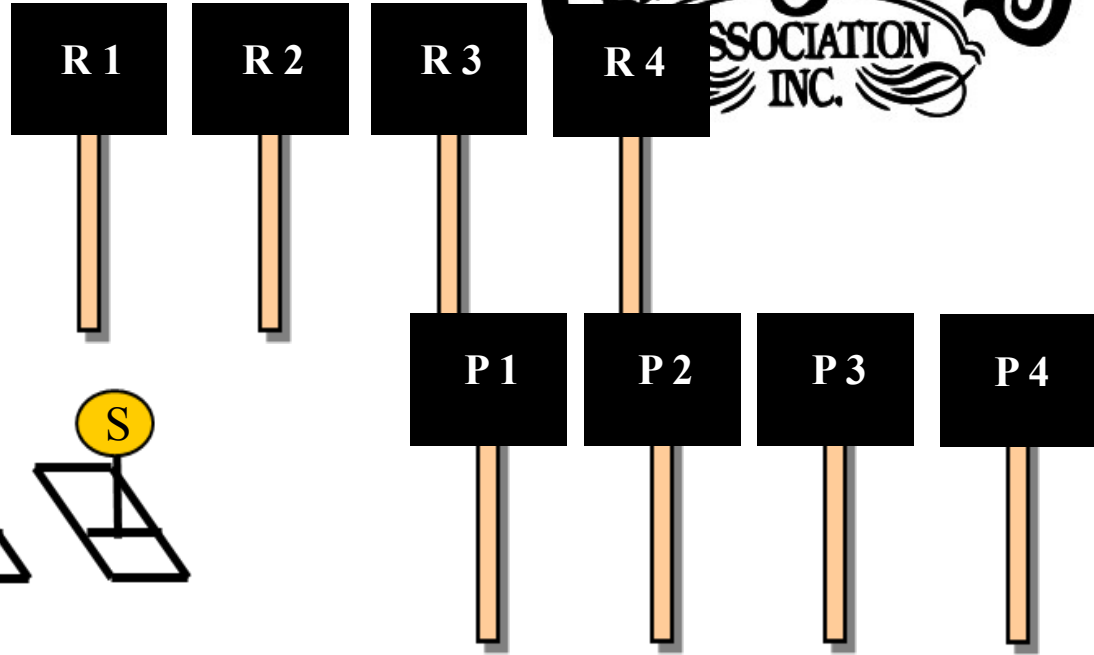


STAGE 1 JUNE 2014

10 Revolver, 10 Rifle, 4 + Shotgun



Start at position 1 hands high in the air. Rifle loaded with 10 rounds and open empty shotgun staged anywhere. Revolvers loaded with 5 rounds each holstered. To signify ready shooter says: "Lett'er rip!!!".....

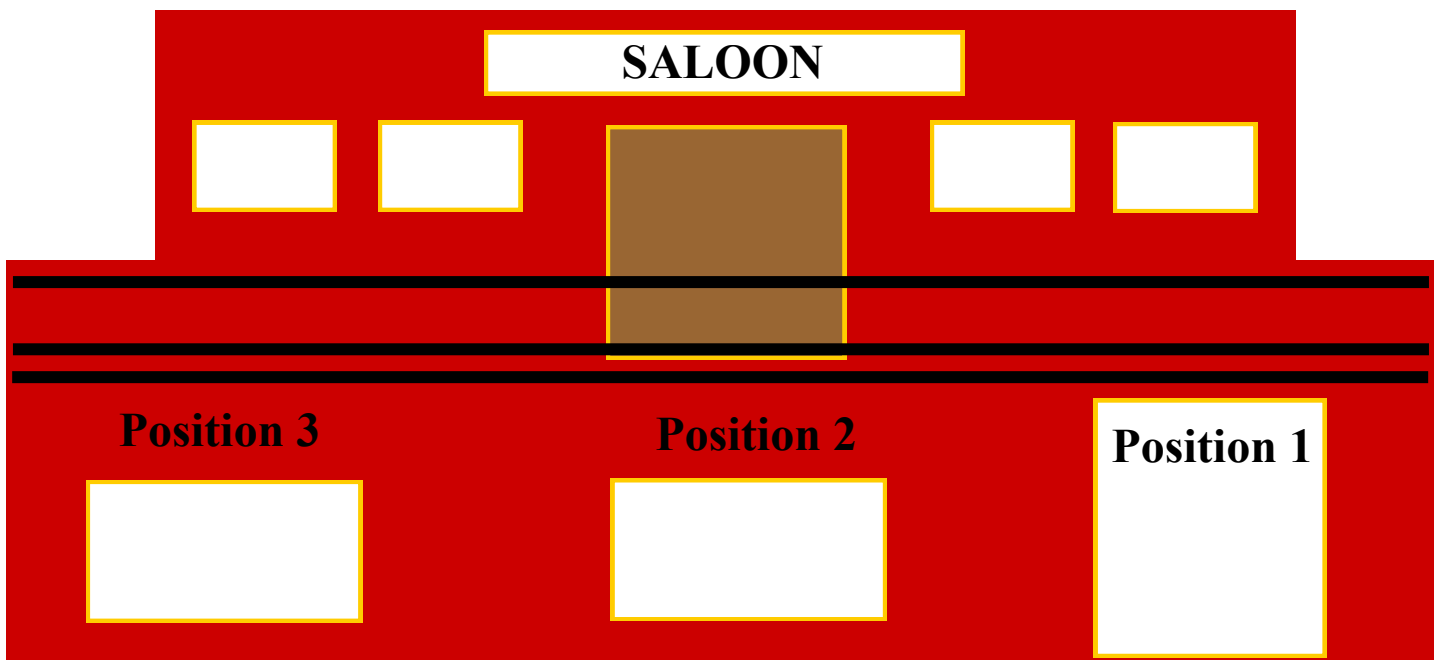
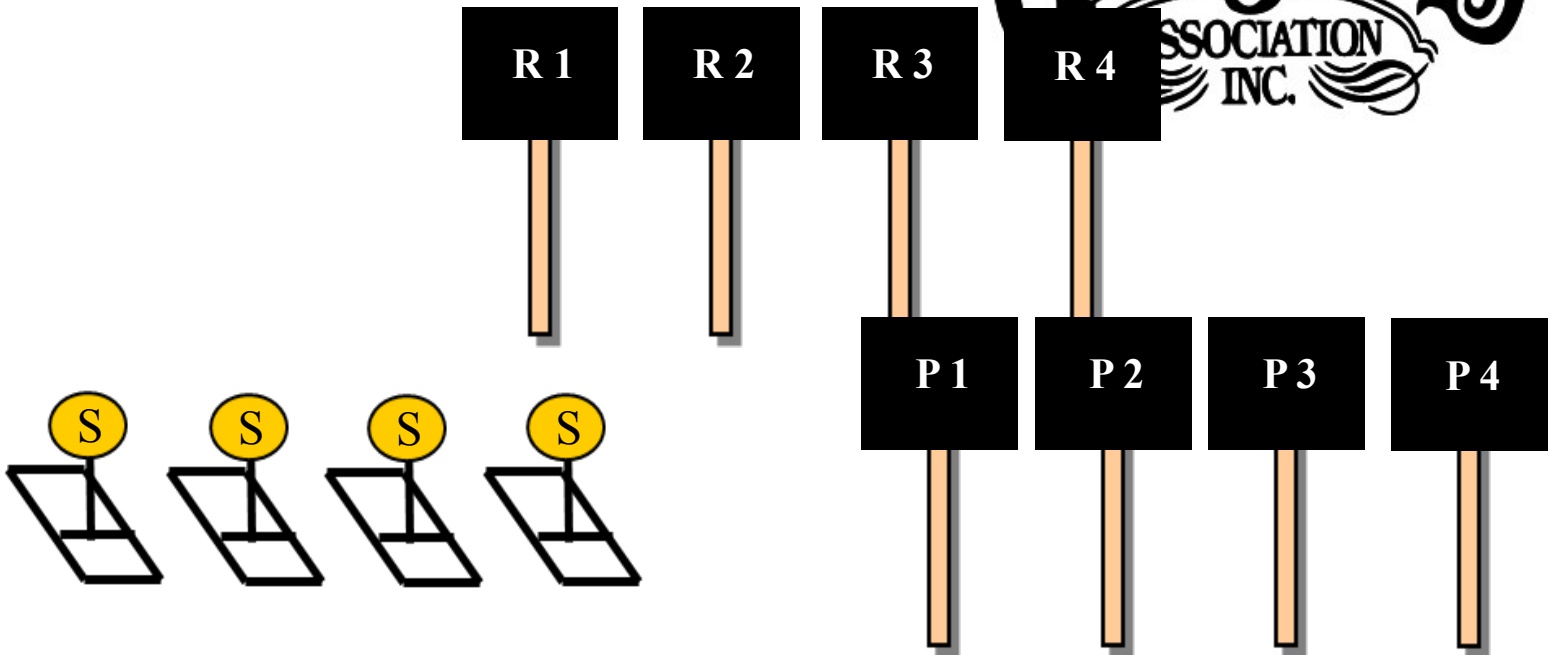
At buzzer with shotgun engage the S targets until they're are down, make shotgun safe. At position 2 with rifle engage R1 thru R4 from either direction in a continuous Nevada sweep, make rifle safe. At position 3 with revolvers engage P1 thru P4 with the same instructions as the rifle, holster.

Move to unloading table...

Please leave timer and spotting flags...

STAGE 2 JUNE 2014

10 Revolver, 10 Rifle, 4 + Shotgun



Start at position 1 hands on revolvers. Rifle loaded with 10 rounds and open empty shotgun staged anywhere. Revolvers loaded with 5 rounds each holstered. To signify ready shooter says: "Double tap the ends!!!".....

At buzzer with revolver starting on either end engage the first three targets with 1 round each then double tap the last target. Repeat instructions with the second revolver going the opposite direction, holster. At position 2 with the rifle repeat the pistol instructions, make rifle safe. At position 3 with shotgun engage the S targets until they're down.

(Example 1-2-3-4-4, 4-3-2-1-1)

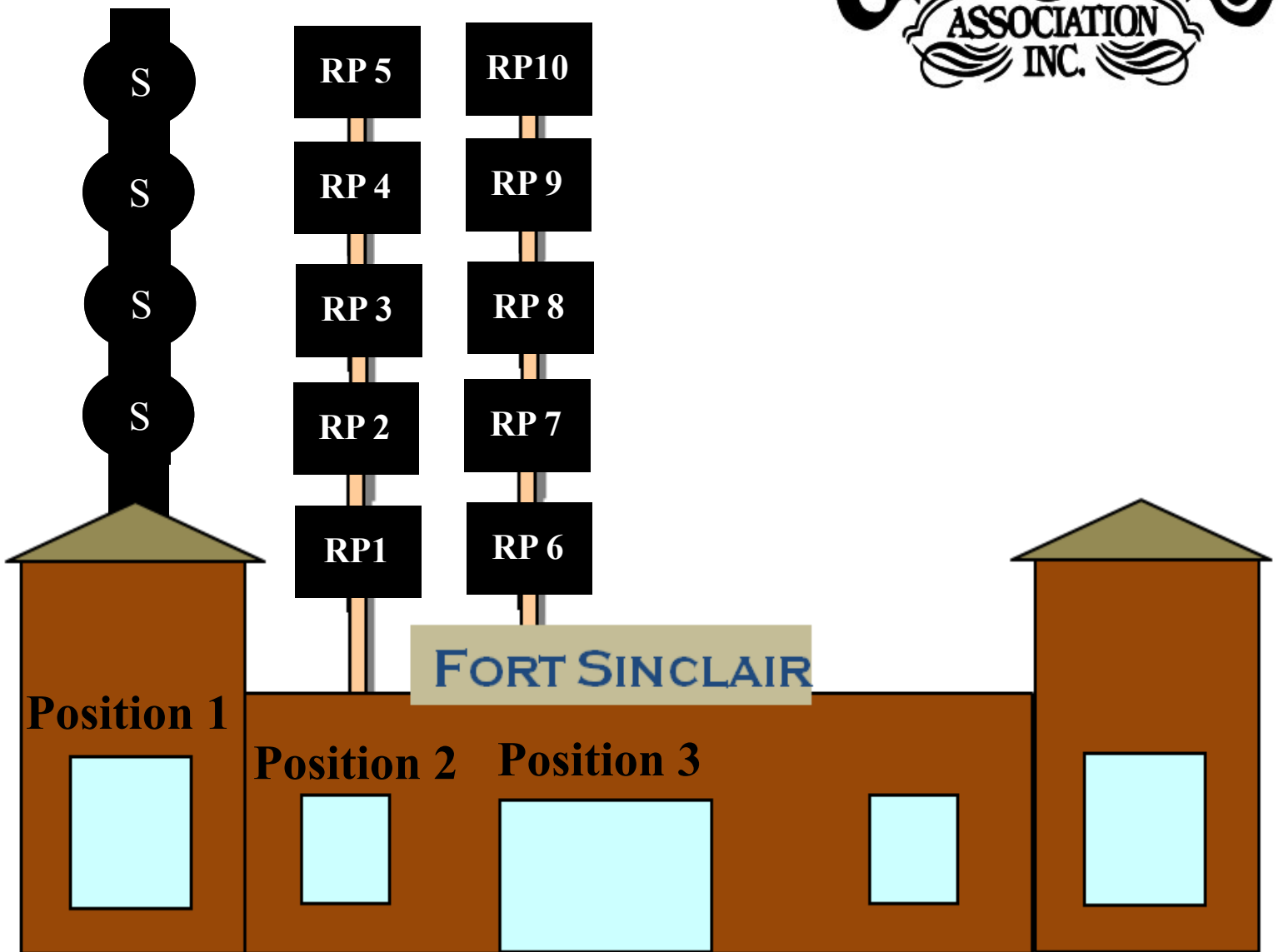
Move to unloading table...

Please leave timer and spotting flags...

STAGE 3 JUNE 2014



10 Revolver, 10 Rifle, 4 + Shotgun



Start at position 1, hands behind your back. Rifle loaded with 10 rounds and open empty shotgun staged anywhere. Revolvers loaded with 5 rounds each, holstered. To signify ready shooter says: "Once"!!!

At buzzer: with shotgun engage all S targets until their down, make shotgun safe anywhere! From position 2 with rifle engage RP1 thru RP10 with one round each, make rifle safe . At position 3 engage RP1 thru RP10 with one round each, holster.

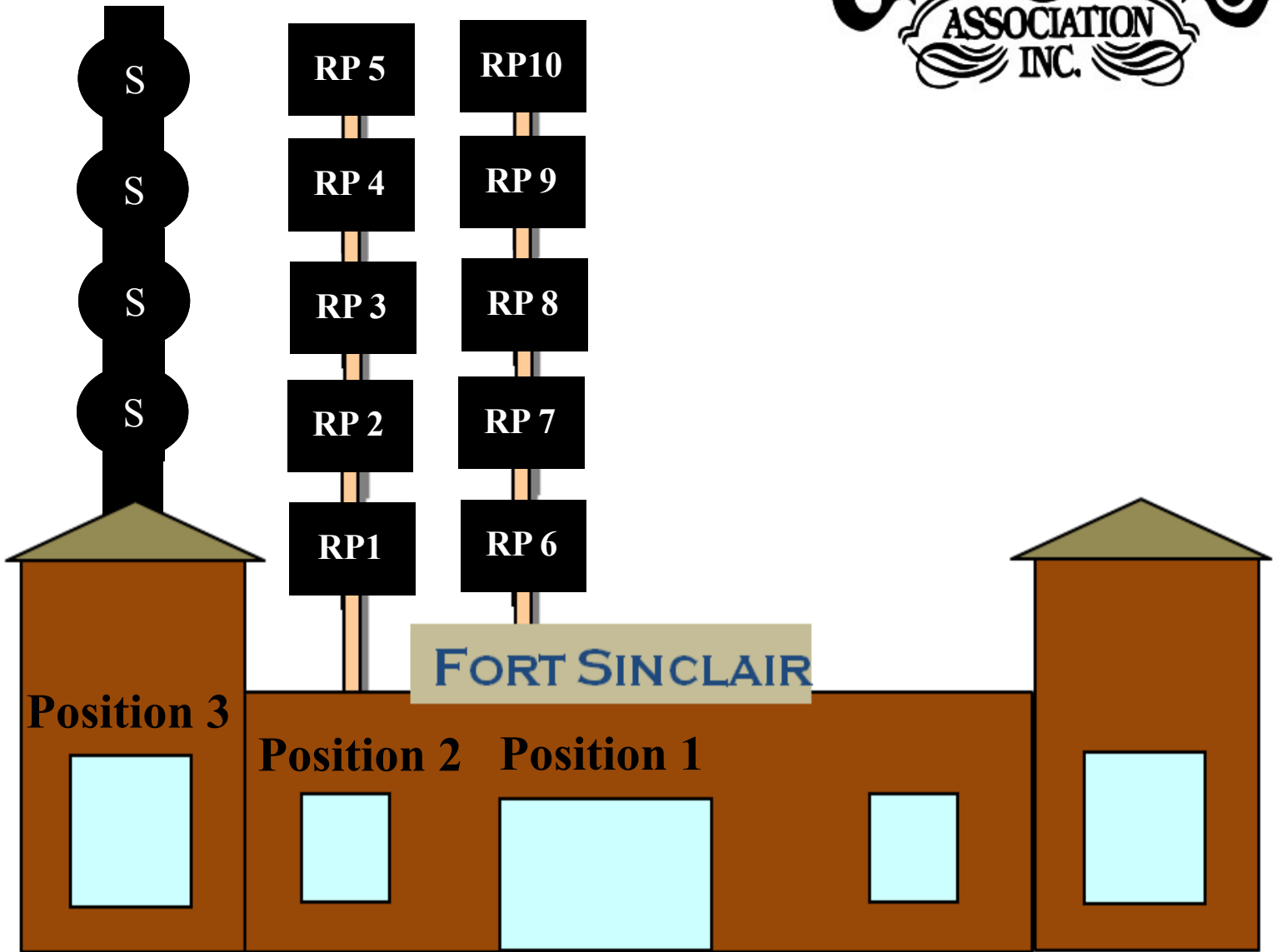
Move to the unloading table...

Please leave timer and spotting flags...

STAGE 4 JUNE 2014



10 Revolver, 10 Rifle, 4 + Shotgun



Start at position 1, hands on hat. Rifle loaded with 10 rounds and open empty shotgun staged anywhere. Revolvers loaded with 5 rounds each, holstered. To signify ready shooter says: "There's a lot of targets"!!!

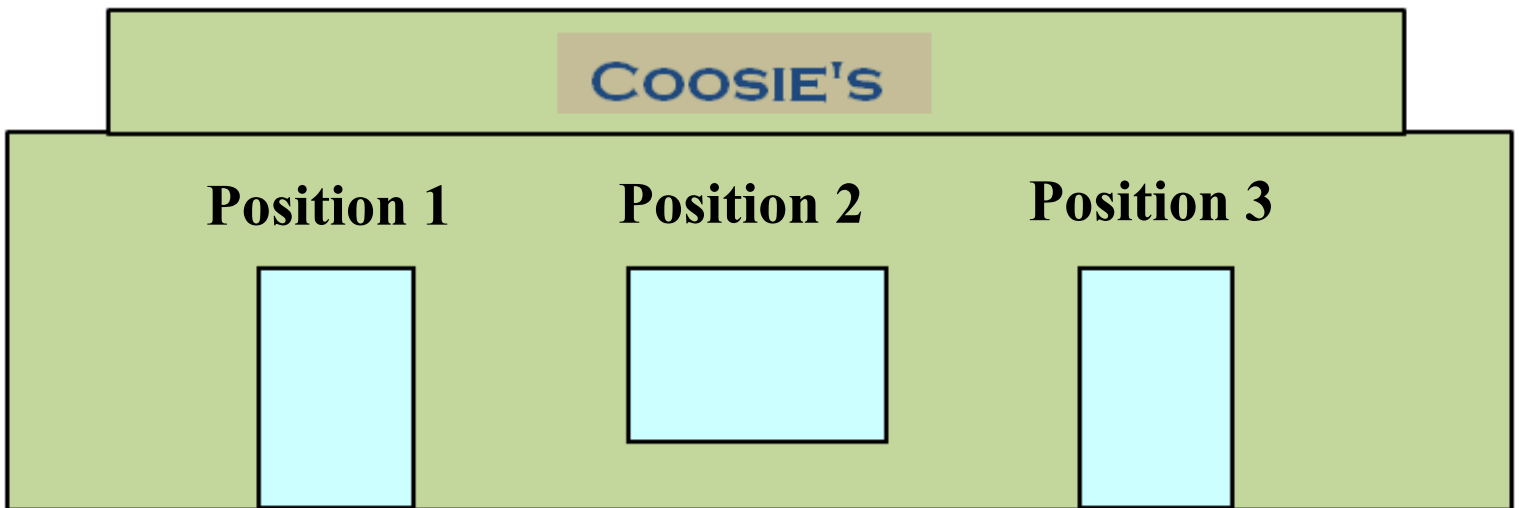
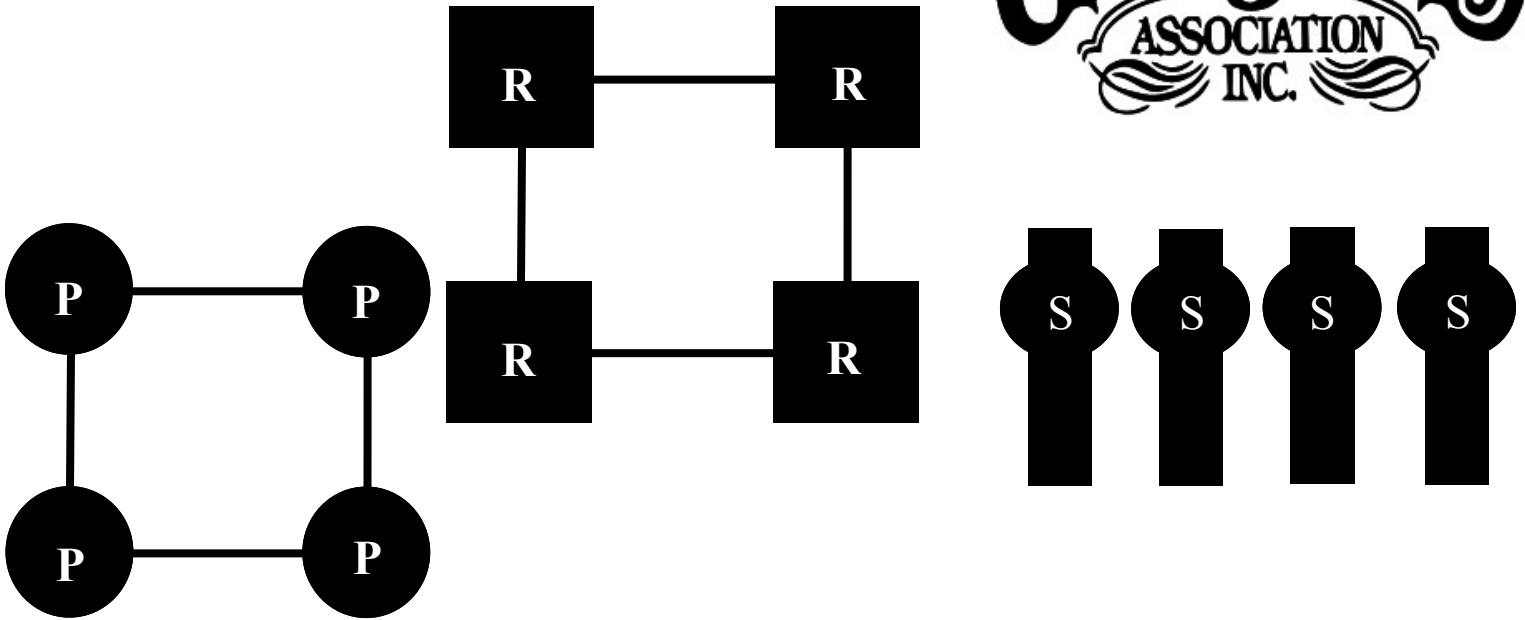
At buzzer: with revolvers double tap any 5 of the RP targets, holster. At position 2 with rifle double tap the 5 remaining targets (the ones you didn't engage with the revolvers), make rifle safe. At position 3 with shotgun engage the S targets until they're down.

Move to the unloading table...

Please leave timer and spotting flags...

STAGE 5 JUNE 2014

10 Revolver, 10 Rifle, 4+ Shotgun



Start at position 1 revolver(s) loaded with 5 rounds each in hand. Open empty shotgun and rifle loaded with 10 rounds staged anywhere. To signify ready shooter says: Hit'em at least twice each Jethro!!!!

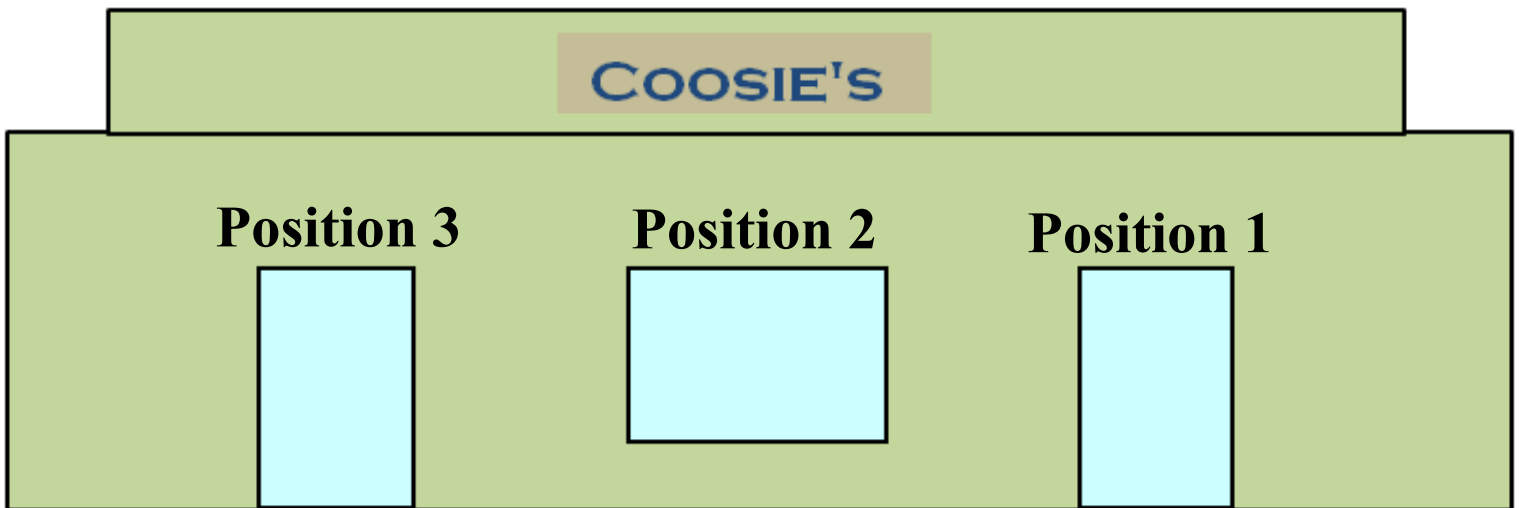
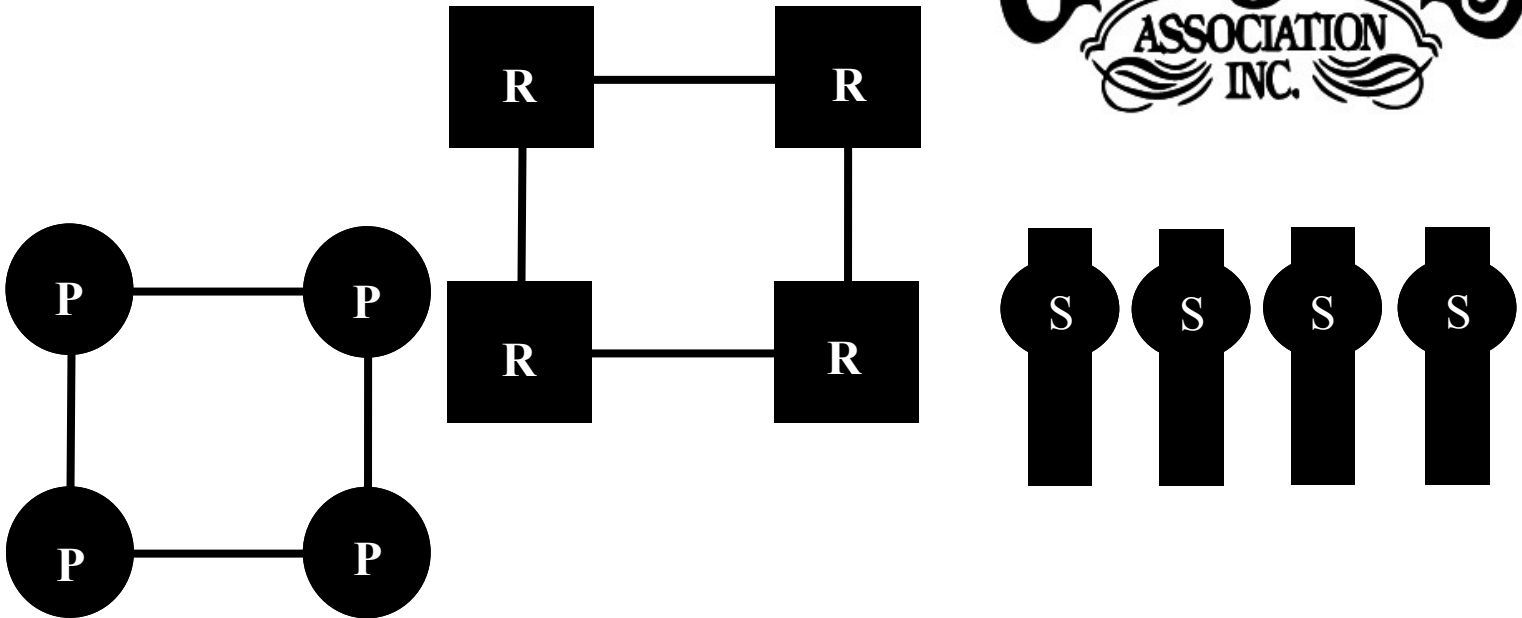
At buzzer with revolvers engage all 4 of the P targets with at least 2 rounds each, holster. At position 2 with rifle repeat revolver instructions on the R targets, make rifle safe. At position 3 with shotgun engage the S targets until they're all down.

Move to the unloading table...

Please leave timer and spotting flags...

STAGE 6 JUNE 2014

10 Revolver, 10 Rifle, 4+ Shotgun



Start at position 1 open empty shotgun at port arms. Rifle loaded with 10 rounds staged anywhere. Revolvers loaded with 5 rounds each, holstered. To signify ready shooter says: "I'm still progressing"!!!

At buzzer with shotgun engage the S targets until they're down, make shotgun safe. At position 2 with rifle engage all of the R targets in a progressive sweep starting on the target of your choice, make rifle safe. At position 1 with revolvers engage the P targets with the same instructions as the rifle, holster.

Move to the unloading table...

Please leave timer and spotting flags...